


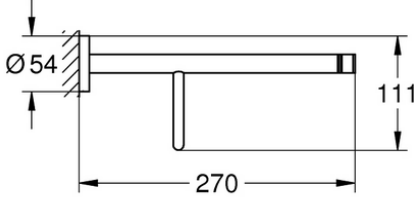
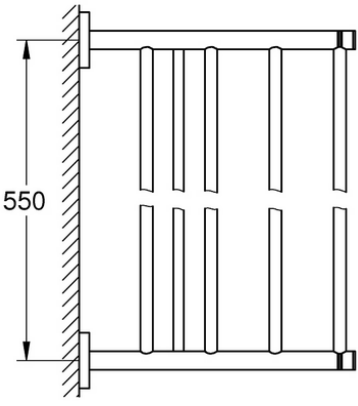




PROJECT		REF		REV	ITEM CODE	
LOCATION		DATE			PAGE	

SANITARY WARE SPECIFICATION SHEET

Item Descriptions	GROHE (Germany) "Essentials" Brushed hard graphite towel shelf
Dimensions	L550 x W270 x H111 mm
Model	40800AL1
Material / Finish	Matel / Brushed Hard Graphite
Country of origin	Germany
Manufacturer	GROHE Limited
Supplier	Acme Sanitary Ware Co. Ltd Mr. Eric Wong/ Mr. Don Yuen
Contact Tel/Fax	(852) 2388-7171 / (852) 2710-8012
E-mail	acme@acmesanitary.com.hk
Website	www.acmesanitary.com.hk

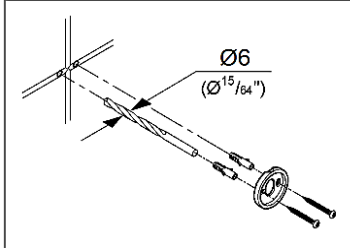
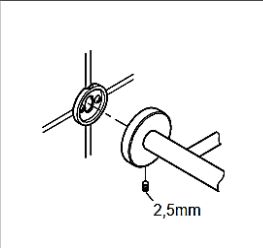
Illustration/ Drawing

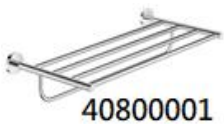


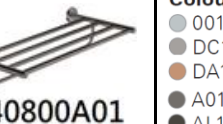




Product Description

- material: metal
- 604 mm (drilling length 550 mm)
- concealed fastening
- **GROHE StarLight finish**
- suitable for screwing (including screws and dowels)

Colour options:

● 001 StarLight Chrome	● GL1 Cool Sunrise
● DC1 SuperSteel	● GN1 Brushed Cool Sunrise
● DA1 Warm Sunset	● DL1 Brushed Warm Sunset
● A01 Hard Graphite	● BE1 Polished Nickel
● AL1 Brushed Hard Graphite	● EN1 Brushed Nickel

Note:

* All information of the above is for the reference only. No prior notice is made if any changes.